

ARC

Downlight
FL520P/FL530P



The ARC modular offers a modern minimalist design with its curved, smooth edges, allowing it to seamlessly blend into any environment.

Fire Rated to 30 minutes, 60 minutes and 90 minutes when installed in ceilings of approved construction to BS 476:Part 21:1987.

FL520P: IP65 dust and moisture sealed from the front when installed correctly.

FL530P: IP20 rating, dust resistant only, no resistance to moisture or water.

This fitting is compliant to Building regulations Part B, Part C (only FL520P) and Part L.

This product must be installed by a qualified electrician in accordance with instructions provided and in compliance with recognized electrical and safety regulations relevant to the country it is being installed.

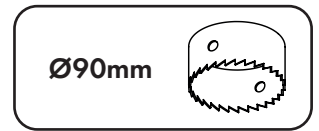
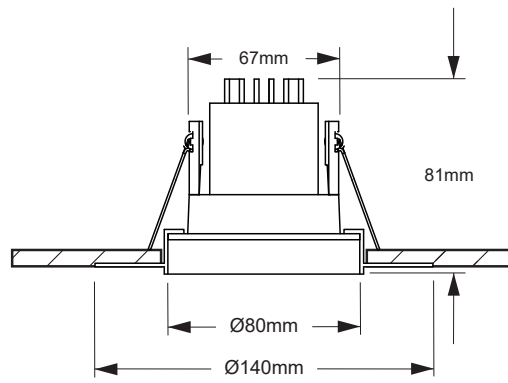
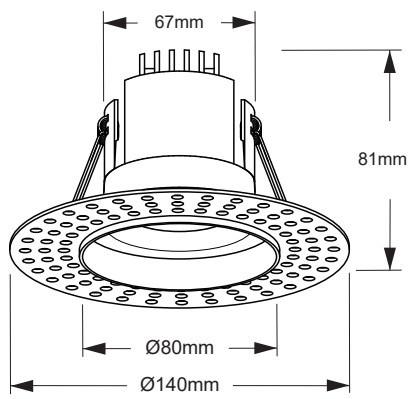
This product is insulation coverable when assembled with fossLED 10W and 12W driver variations ONLY.

This product is for indoor use only.

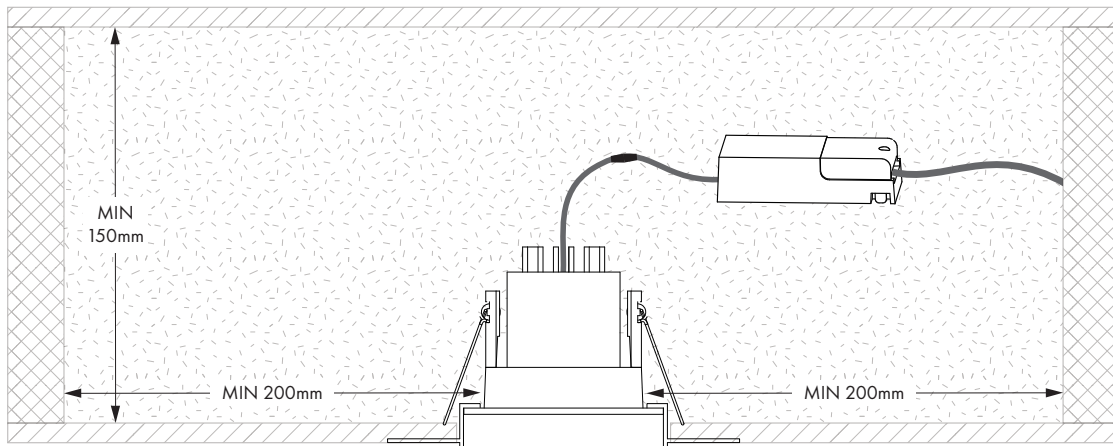
Minimum clearance is 50mm above the installed fitting and should NOT be installed within 200mm of any joist.

Avoid the installation of cables in locations that would cause a hazard. Position cables away from areas where there may be at risk of them being trapped, damaged or cut.

DIMENSIONS:

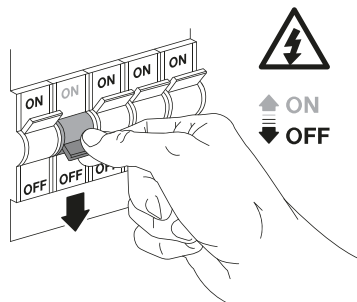


This product is suitable for coverage by thermal and acoustic insulation e.g. loft insulation. Not suitable for blown insulation.



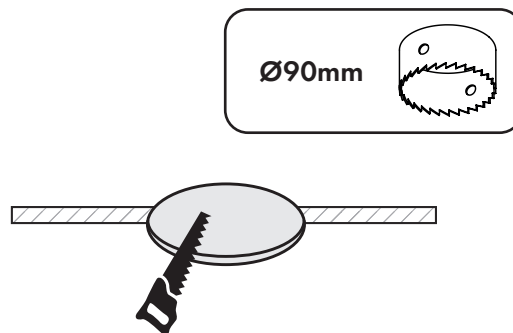
INSTALLATION:

1



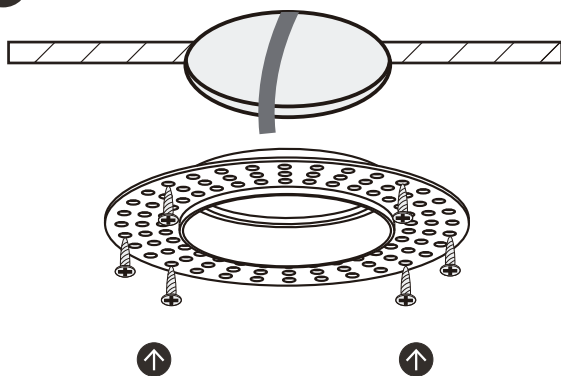
Ensure mains power is turned OFF and cannot be unexpectedly reconnected.

2

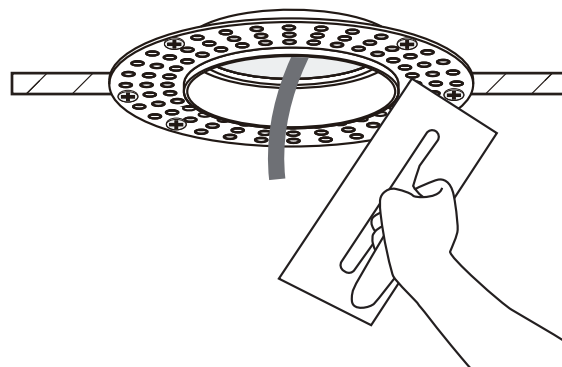


For new installations use suitable cutting tools and carefully cut the required hole.

3

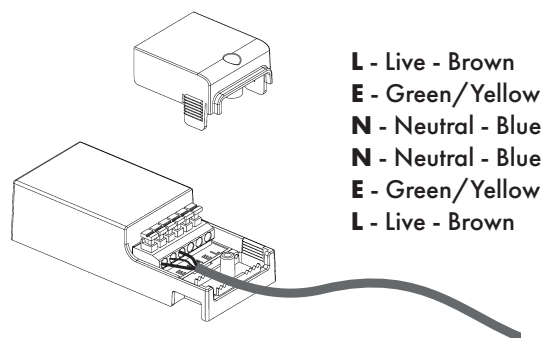
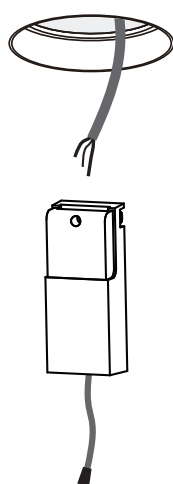


Screw a minimum of 6 screws to the fixture to keep it in place.



Plaster up to the plaster lip for a seamless finish.

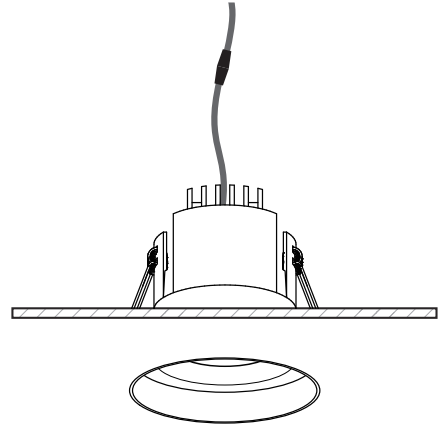
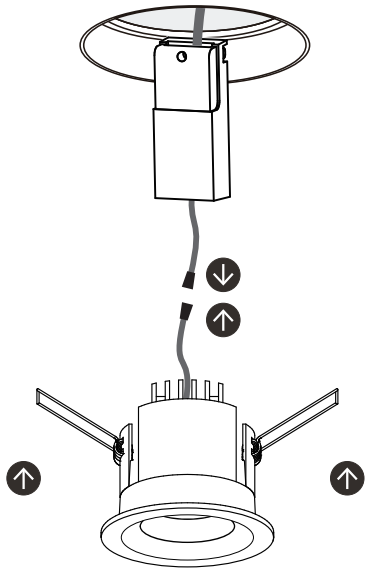
4



L - Live - Brown
E - Green/Yellow
N - Neutral - Blue
N - Neutral - Blue
E - Green/Yellow
L - Live - Brown

When wiring please ensure you have identified the correct wiring from the circuit and ensure the connections are tight and no loose strands have been left outside of the connection block.

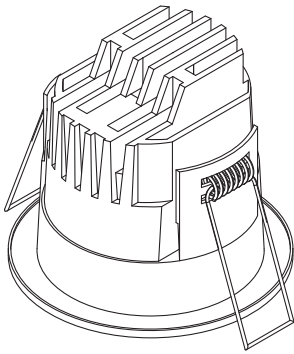
5



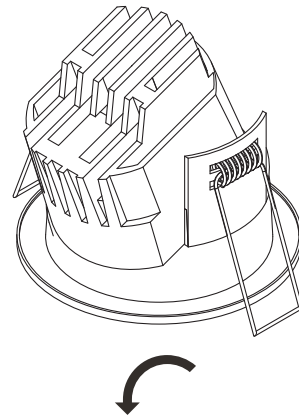
Connect the downlight to the connection block. Push the springs upwards and fit into the ceiling hole ensuring the product is sitting properly and no cables are trapped.

6

This step only applies to product reference FL530P



Adjust the tilt angle / direction as desired from above or below the fixture depending on access.



Compliant to all applicable UKCA Directive requirements.



Compliant to all applicable EC Directive requirements.



Please do not dispose of along with household waste. Waste electrical products should only be recycled using a suitable local recycling facility. Contact your local authority for recycling advice.



Do NOT directly mount this product on normally flammable surfaces. The product should be mounted on non-combustible surfaces.



A minimum distance of 0.5 metres from lighted objects.



The power supply is double insulated and so does not require an Earth connection.

IP65

FL520 is suitable for use in living areas, Bathroom Zones 2 and outside zones.

IP20

FL530 is dust resistant only, no resistance to moisture or water.