

Arco

GU10 Tilt Downlight
FD06T-00/11



fossLED open construction fire rated glass fixtures feature a low profile for installation versatility and good air circulation for improved lamp lifetime.

Fire Rated to 30 minutes, 60 minutes and 90 minutes when installed in ceilings of approved construction to BS 476: Part 21:1987.

IP20 rating, dust resistant only, no resistance to moisture or water.

This fitting is compliant to Building regulations Part B and Part L.
(When used in conjunction with high efficiency LED lamps).

This product must be installed by a qualified electrician in accordance with instructions provided and in compliance with recognised electrical and safety regulations relevant to the country it is being installed.

This product must not be used with non-LED lamps and installed with a max lamp wattage of 7W.

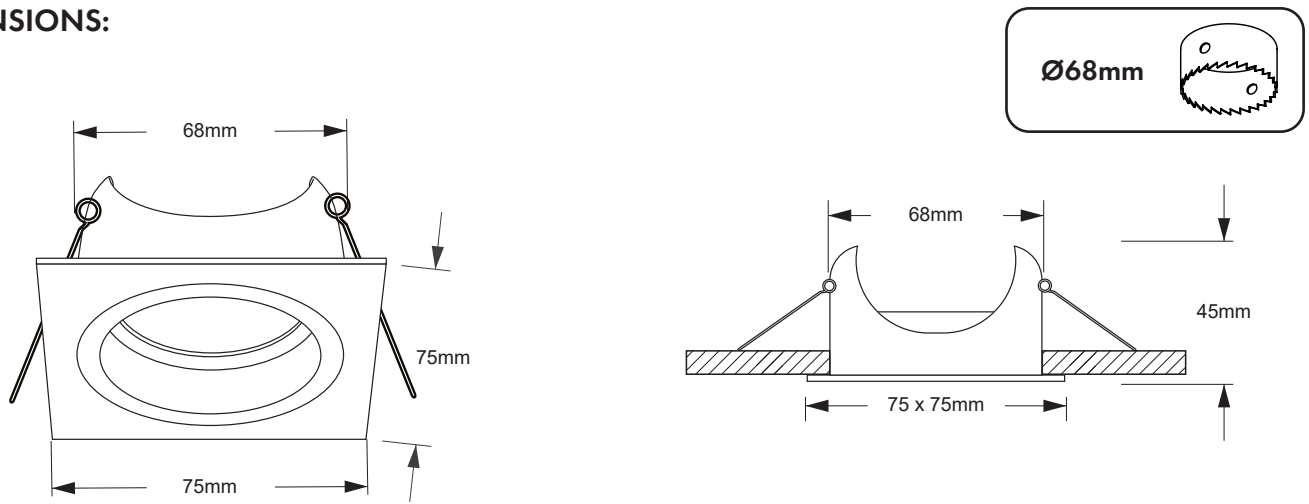
This product is for indoor use only.

Minimum clearance is 50mm above the installed fitting and should NOT be installed within 200mm of any joist.

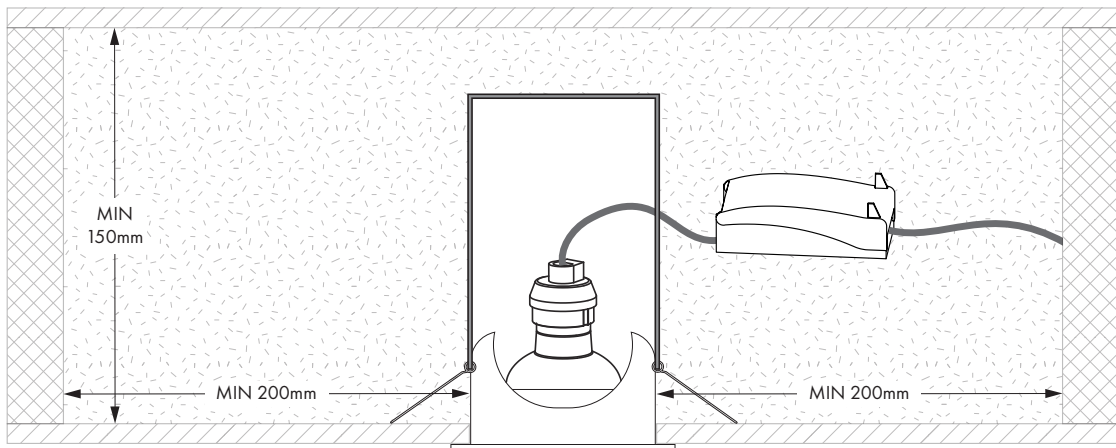
This light fitting should be connected to a circuit with a 30mA RCD when fitted in a room containing a bath or shower.

Avoid the installation of cables in locations that would cause a hazard. Position cables away from areas where there may be at risk of them being trapped, damaged or cut.

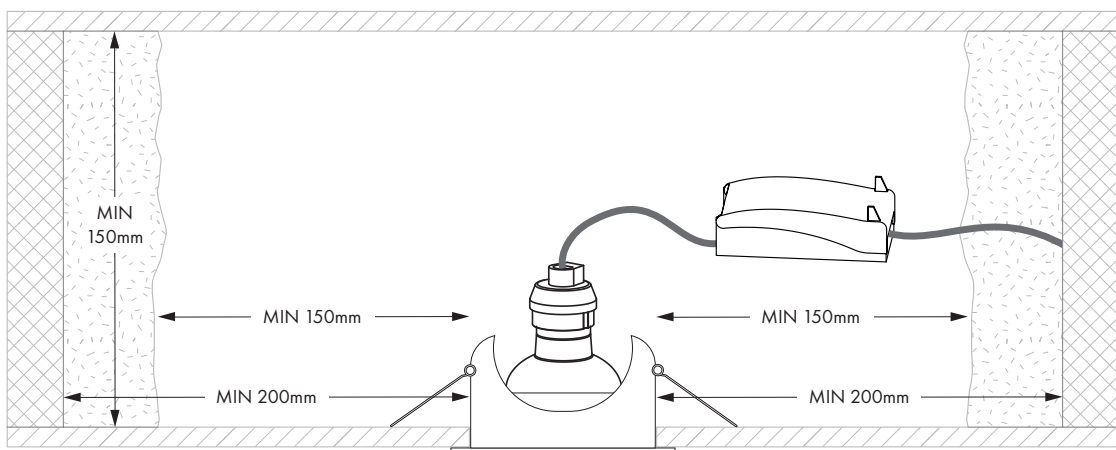
DIMENSIONS:



When installed in conjunction with our 'Insulation bracket' (Sold Separately) this product is suitable for coverage by thermal and acoustic insulation e.g. loft insulation. Not suitable for blown insulation. Please ensure a max wattage of 10W when covering with insulation and utilising the insulation bracket.

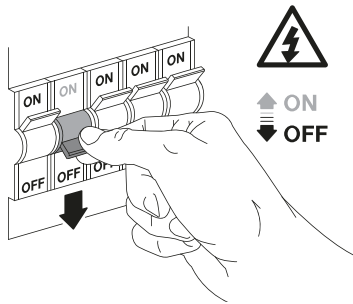


If installing without an insulation bracket please ensure any insulation is at a minimum distance of 150mm away from the fixture / lamp and not covering it.



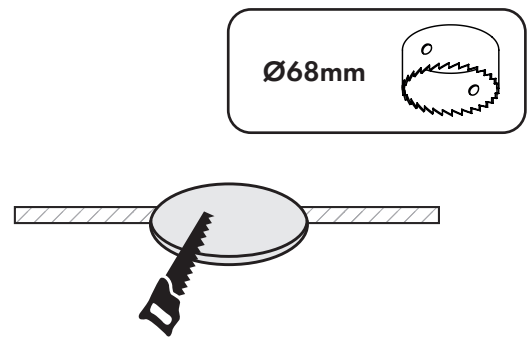
INSTALLATION:

1



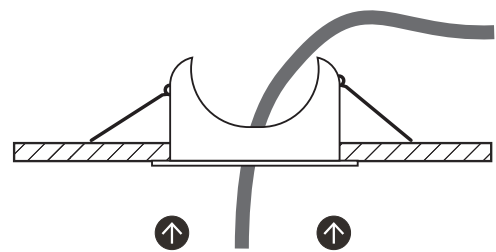
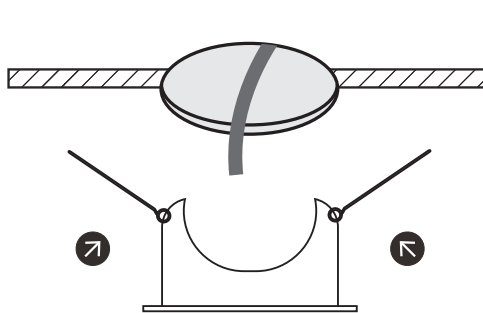
Ensure mains power is turned OFF and cannot be unexpectedly reconnected.

2



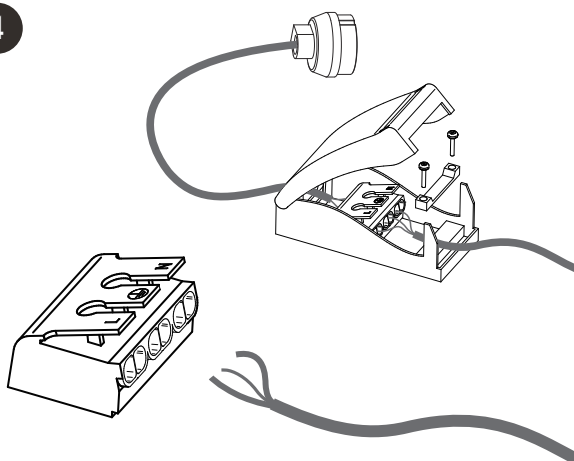
For new installations use suitable cutting tools and carefully cut the required hole.

3



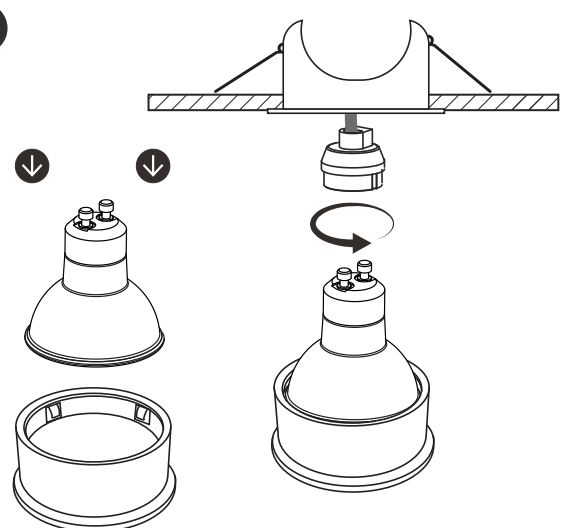
Push the springs upwards and fit into the ceiling hole ensuring the product is sitting properly and no cables are trapped.

4

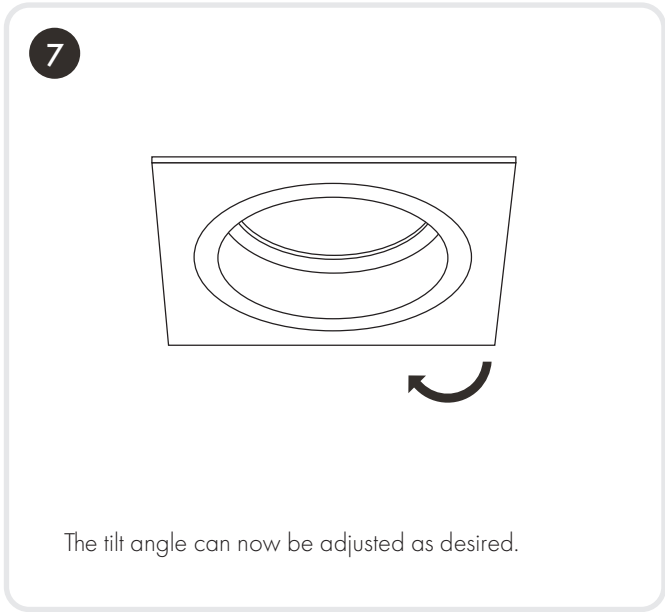
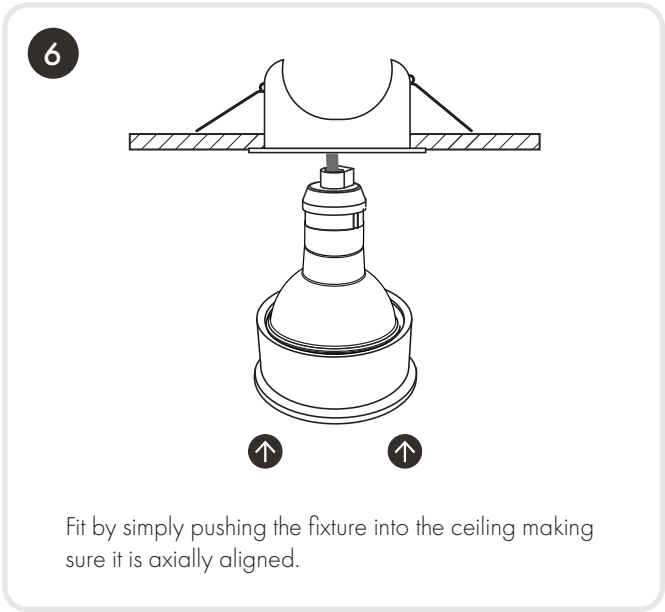


When wiring please ensure you have identified the correct wiring from the circuit and ensure the connections are tight and no loose strands have been left outside of the connection block.

5



Fit the LED bulb into the fixture, then twist and connect your LED bulb.



Compliant to all applicable UKCA Directive requirements.



Compliant to all applicable EC Directive requirements.



Please do not dispose of along with household waste. Waste electrical products should only be recycled using a suitable local recycling facility. Contact your local authority for recycling advice.



Do NOT directly mount this product on normally flammable surfaces. The product should be mounted on non-combustible surfaces.



A minimum distance of 0.5 metres from lighted objects.



The power supply is double insulated and so does not require an Earth connection.

IP20

This product is dust resistant only, no resistance to moisture or water