

# Shooter L

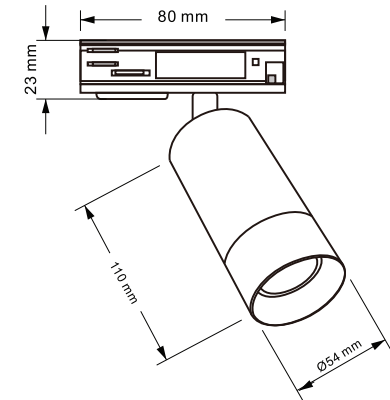
Single Circuit Spotlight  
FLGU1L-00/11



## SAFETY CAUTIONS:

1. Installation of this product must be carried out by a qualified electrician to the latest building and IEE Wiring regulations
2. Mains power must be switch off prior to installation or maintenance
3. Please ensure your installation does not exceed the rated total load
4. This product is rated as Class 1 and requires an earth, please ensure you fit it correctly to the track to ensure an earth continuation as depicted
5. This product is IP20 rated
6. This fitting requires a 220 – 240VAC AC/50Hz power input
7. Please allow a minimum spacing of 75mm around each fitting for air ventilation
8. Please allow a minimum distance of 800mm between each fitting and the illuminated subject
9. Do not touch the fitting when in use

## DIMENSIONS:



## INSTALLATION:

