

# User Guide - FLD4CY

## RF Receiver - 4 in 1 (Single colour/ Tuneable White/ RGB & RGB/W)



### Features

- Use with our Single Colour/ Tuneable White/ RGB & RGB/W Remotes and RF compatible wall panels.
- Dimming Control from 1 - 100%
- 2.4GHz wireless technology, control distance up to 30m.
- Pair one or multiple receivers with each Foss RF single colour controller & Wall panel.
- Auto-transmit function; Foss receivers transmit signal between themselves allowing each receiver to be placed up to 10 meters from one another helping boost your remote signal reach up to a max distance of 100 meters.

### Technical parameters

- Output signal: RF(2.4GHz)
- Input Voltage: 12-24VDC
- Output Current: 6A/CH, Total Max 15A
- Output Type: PWM Constant Voltage
- Dimming Range 1 - 100%
- Size: L114 x W38 x H20 mm
- RF signal distance of up to 30m within Free Range. Please allow for 12m within areas restricted by obstacles.

### Pairing guide

Pairing your controller with the 2.4G RF receiver

- Using the "Match Key"

1. Match, Switch off receiver power, then switch on power again, short press zone key 3 times on the wall panel quickly within 5s after receiver power on, the link has been completed once the connected LED lights flash 3 times. Repeat this process to link further receivers to the wall panel.

2. To Delete a match: Switch off power to the receiver, then switch-on power again, short press the zone key you are deleting 5 times on the remote within 5s after power on, the unlink has been completed once the connected LED lights flash 5 times.

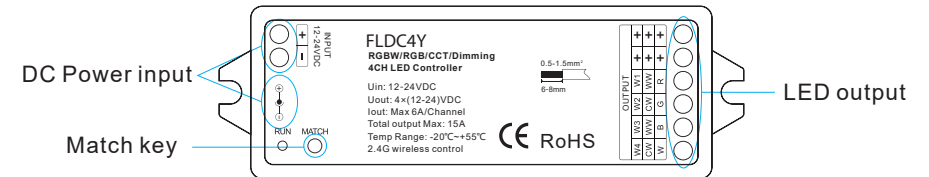
- At Power Up

1. Match the controller with our receiver (Without using the Match Key)

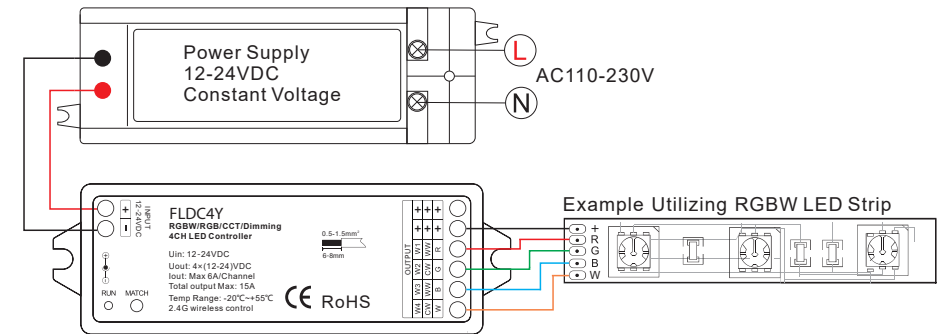
Switch off receiver power, then switch on power again, short press zone key 3 times on the remote quickly within 5s after receiver power on, the link has been completed once the connected LED lights flash 3 times.

2. To Delete a match: Switch off power to the receiver, then switch on power again, short press the zone key you are deleting 5 times on the remote within 5s after power on, the unlink has been completed once the connected LED lights flash 5 times.

### Key Functions



### Dimensions



### Safety Information

- This product must be installed and serviced by a qualified person.
- The product is non-waterproof.
- Good heat dissipation will prolong the working life of the decoder, please ensure it is installed with adequate ventilation .
- Please check if the output voltage of any power supplies used comply with the working voltage of the product.
- Ensure all wire connections and polarities are correct
- If a fault occurs please return the product to your supplier. Do not attempt to fix this product by yourself .