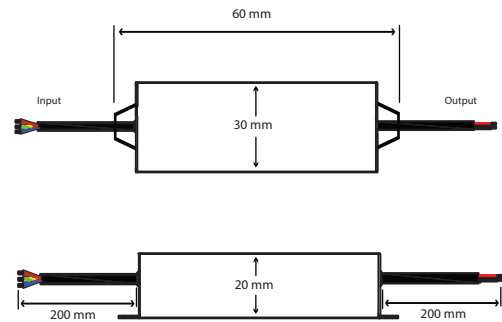


12W, 24v Standard Driver

LEDD-IP1224



COM



Product Reference: LEDD-IP1224

FOSS Standard Drivers are compatible with all 24v LED Strip products and controllers and feature an IP67 casing for good heat dissipation and increased longevity ; for further information please contact us on 0203 198 1908.

Technical Specification:

Output	Ouput Power Voltage Rated Current	12w 24v 0.5A
Input	Input Voltage Range AC Frequency Power Factor Efficiency AC Current	170 - 265V 50 - 60 Hz >0.55 >81% 0.1A
Environment	Working Temp Store Temp	-30°C - +55°C -40°C - +85°C
Protection	Short Circuit Protection Rating SELV Overload	Hiccup Mode, recover after fault condition is removed IP67 Yes 100-130% Shut down O/P voltage, repower onto recover