

User Guide - FLD4CY-DALIDT8

DALI Decoder- 4 channel (Single colour/ Tuneable White/ RGB & RGB/W)

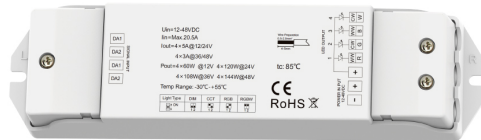


Features

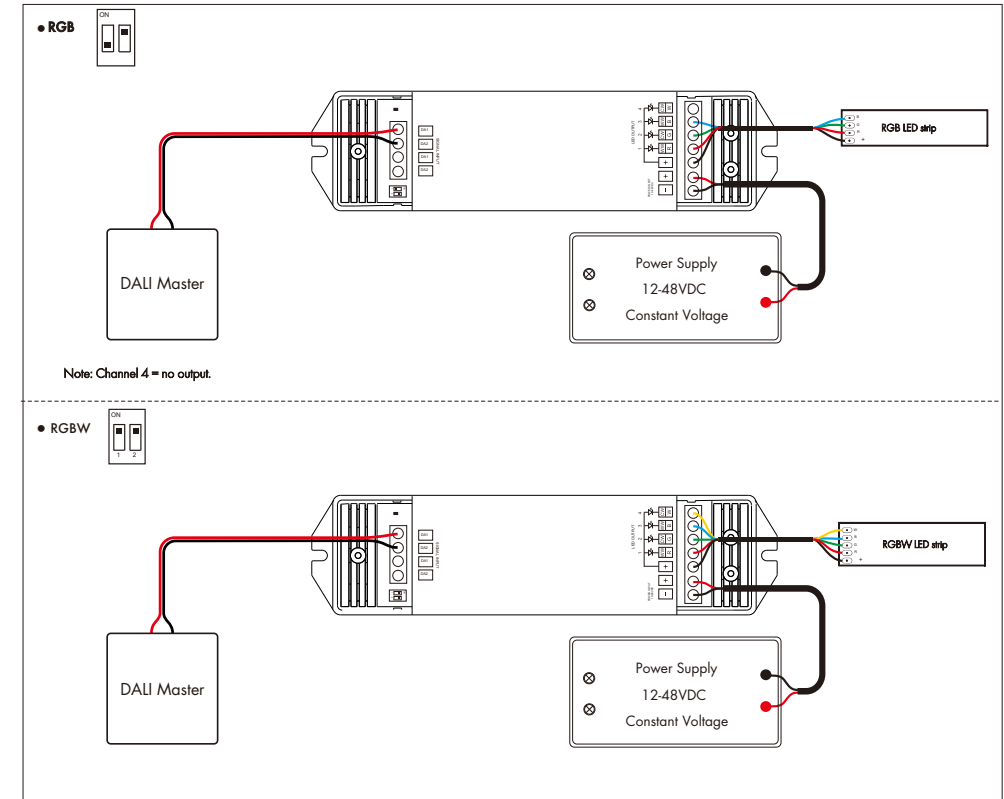
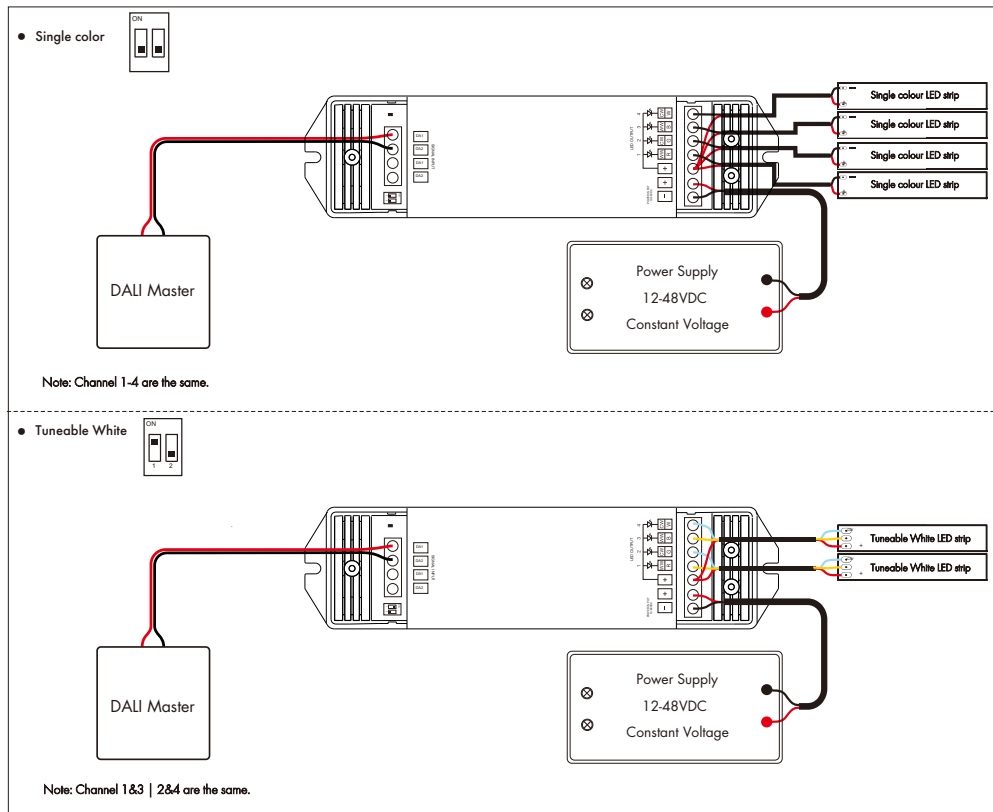
- 4 channel constant voltage DALI LED Dimmer
- DT8 Tunable White / RGB and RGBW dimming
- DALI addresses are automatically assigned by the DALI master controller.
- PWM digital dimming

Technical parameters

- Input Voltage: 12-48VDC
- Output Current: 4x5A@12/24V
4x3A@36/48V
- Output Type: PWM Constant Voltage
- Dimming Range 0 - 100%
- Size: L175 x W45 x H27 mm



Wiring guide



Safety Information

- This product must be installed and serviced by a qualified person.
- This product has an ingress protection rating of IP20
- Good heat dissipation will prolong the working life of the decoder, please ensure it is installed with adequate ventilation .
- Please check if the output voltage of any power supplies used comply with the working voltage of the product.
- Ensure all wire connections and polarities are correct
- If a fault occurs please notify fossLED immediately; do not attempt to fix this product yourself .