

User Guide - FLD0-10V

0/1 - 10V Decoder (Constant Voltage / Constant Current)



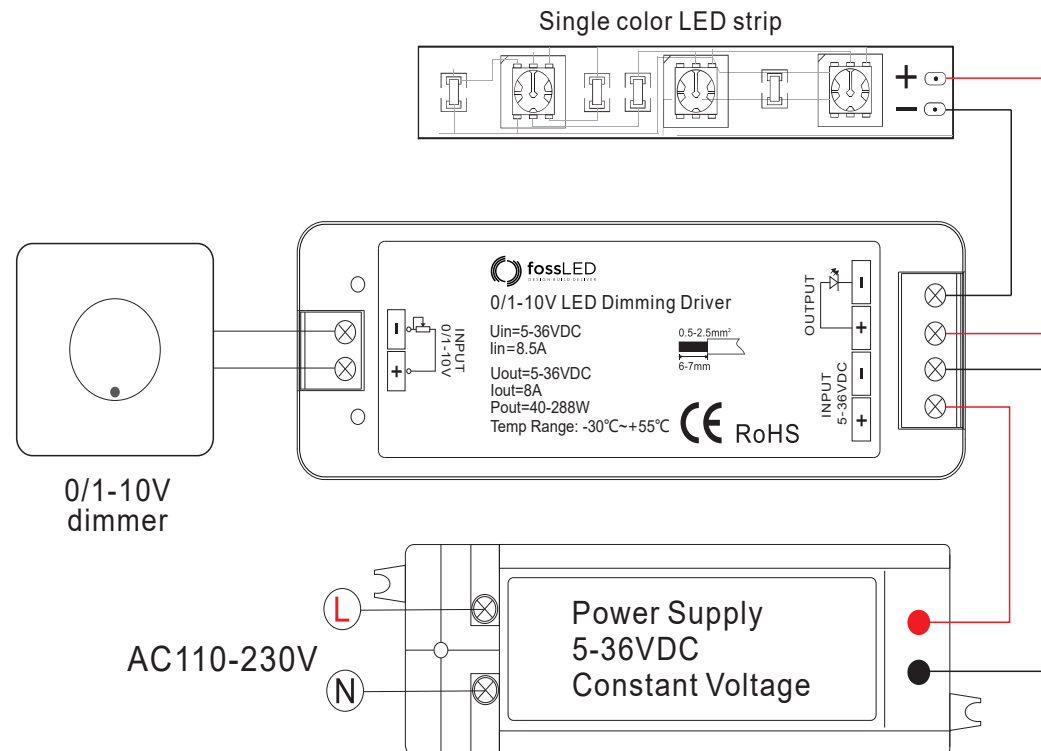
Features

- 1 channel 0/1-10V input; for use with 0-1/10v dimmers and automated lighting systems.
- Dimming Control from 1 - 100%

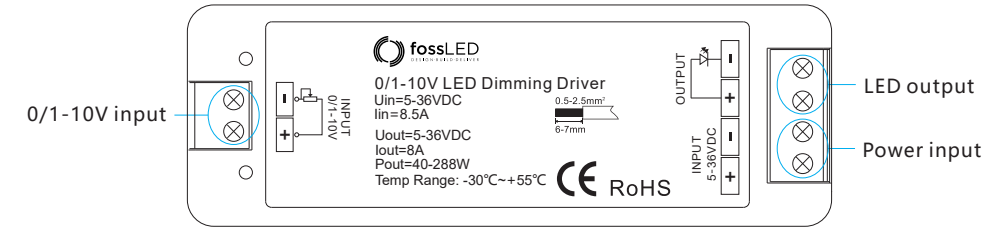
Technical Parameters

- Input Voltage: 5-36VDC
- Output Current: 1CH, 8A
- Output Power: 40 - 288W
- Output Type: Constant Voltage
- Size: L97 x W33 x H18 mm

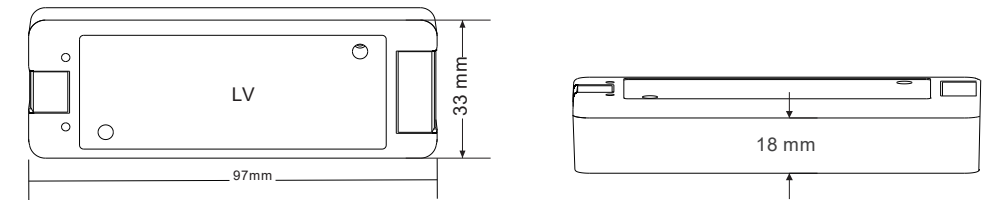
Wiring Diagram



Key Functions



Dimensions



Safety Information

- This product must be installed and serviced by a qualified person.
- The product is non-waterproof.
- Good heat dissipation will prolong the working life of the decoder, please ensure within adequate ventilation.
- Please check if the output voltage of any power supplies used comply with the working voltage of the product.
- Ensure all wire connections and polarities are correct
- If a fault occurs please return the product to your supplier. Do not attempt to fix this product by yourself.