

User Guide - FLD4PR

4 Channel Power Repeater (Single Colour/ Tuneable/ RGB & RGBW)



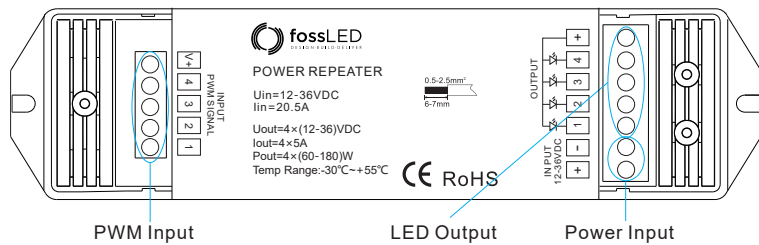
Features

- Expand your lighting Zones; compatible with all Foss LED Strip products.
- 12 - 36V Constant Voltage
- 4 Channel, 5A per channel.
- PWM Signal Control.
- Can be wired in series and parallel.

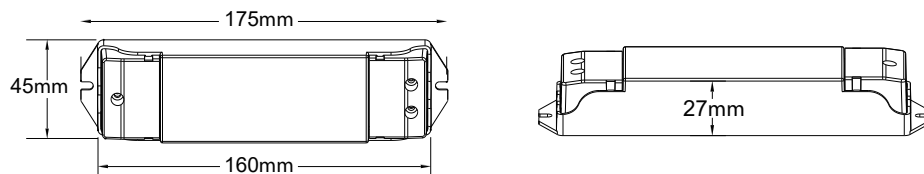
Technical Parameters

- Input Voltage: 12-36VDC
- Load Current: 4CH, 5A/CH
- Output Power: 4 x (60 - 180)W
- Working Temperature: -30°C~55°C
- Size: L175xW45xH27 mm
- Net Weight: 114g

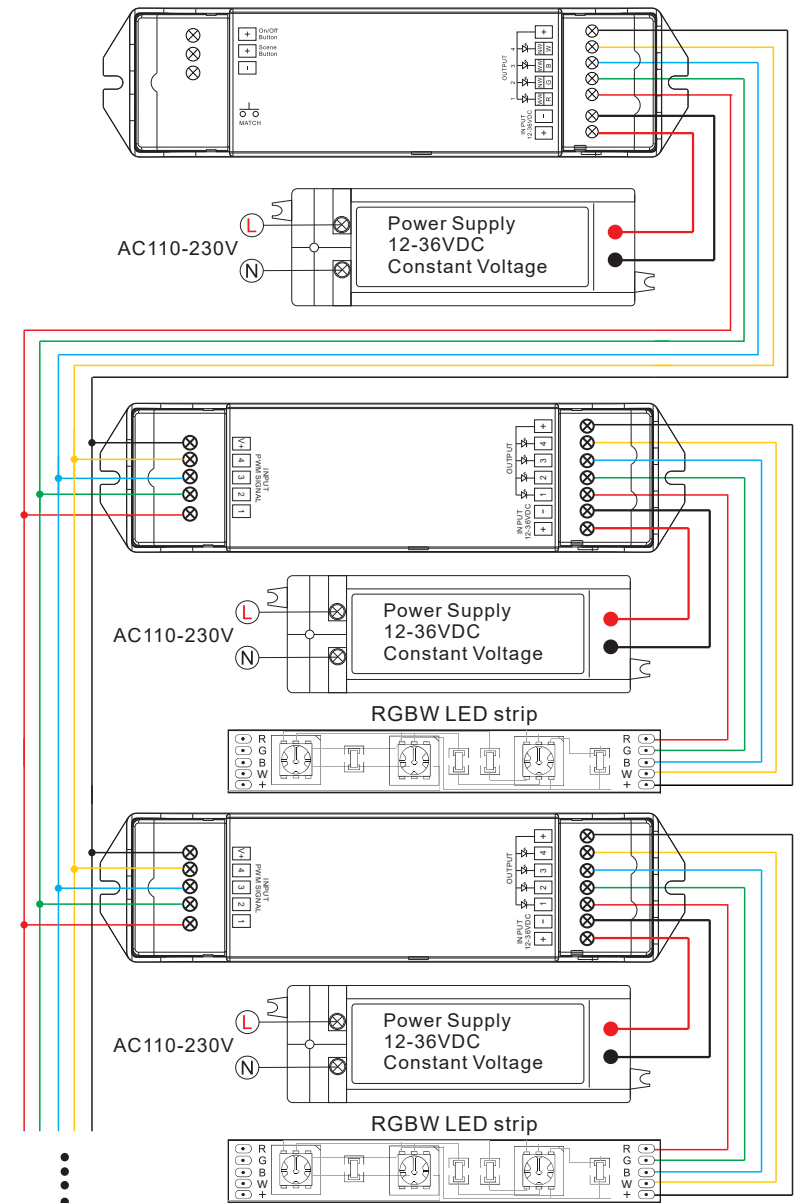
Dimensions



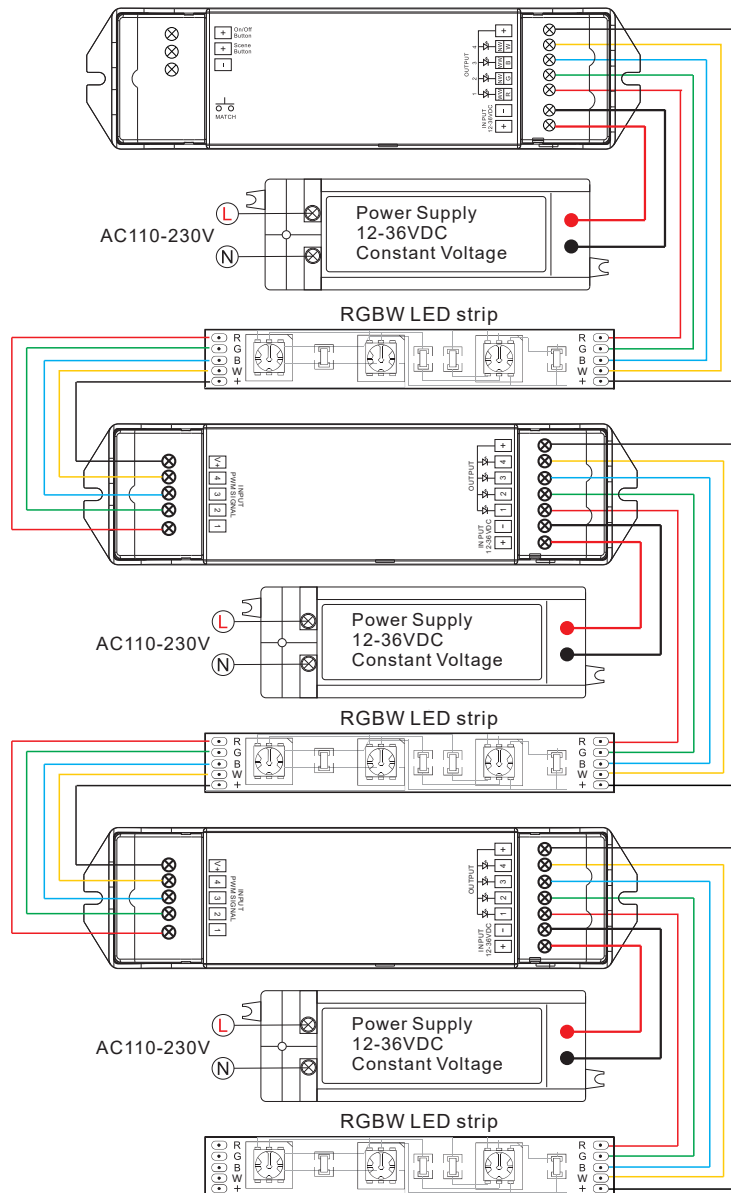
Key Functions



Wiring in Parallel Diagram



Wiring in Series Diagram



Safety Information

- This product must be installed and serviced by a qualified person.
- The product is non-waterproof.
- Good heat dissipation will prolong the working life of the decoder, please ensure within adequate ventilation.
- Please check if the output voltage of any power supplies used comply with the working voltage of the product.
- Ensure all wire connections and polarities are correct
- If a fault occurs please return the product to your supplier. Do not attempt to fix this product by yourself.